

[ABS]

ABS-Lock[®] Falz VI

PF-6-RB-500



MoA 263-08



Montageschritte dokumentieren

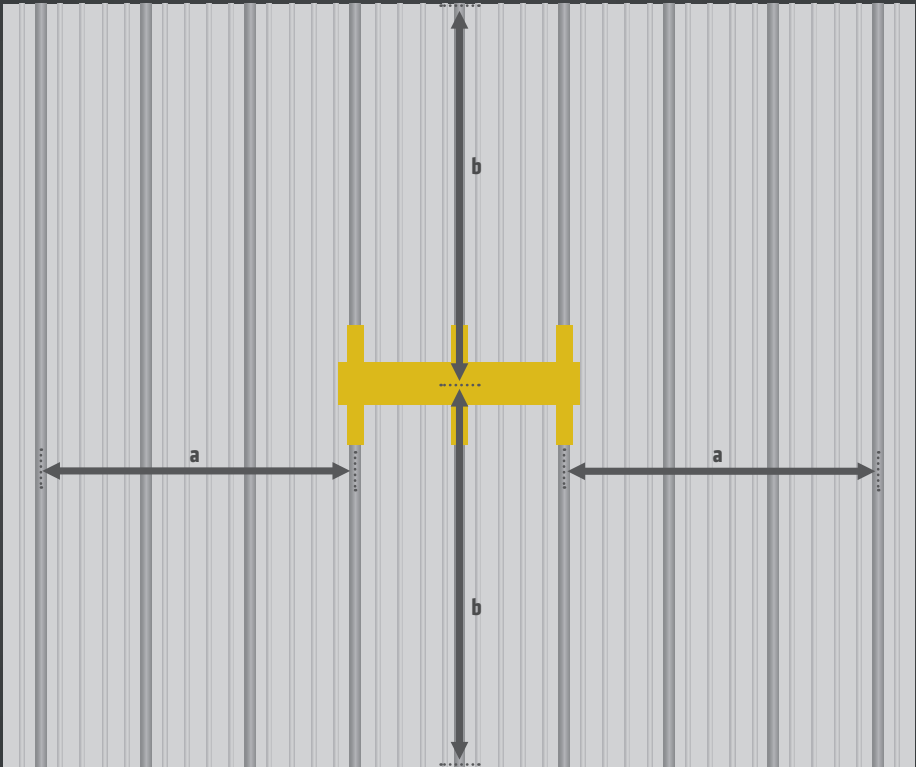
Document assembly step



Dokumentation mit Bildern vervollständigen!
Complete your documentation using pictures!

**Dokumentation
ist Pflicht!**

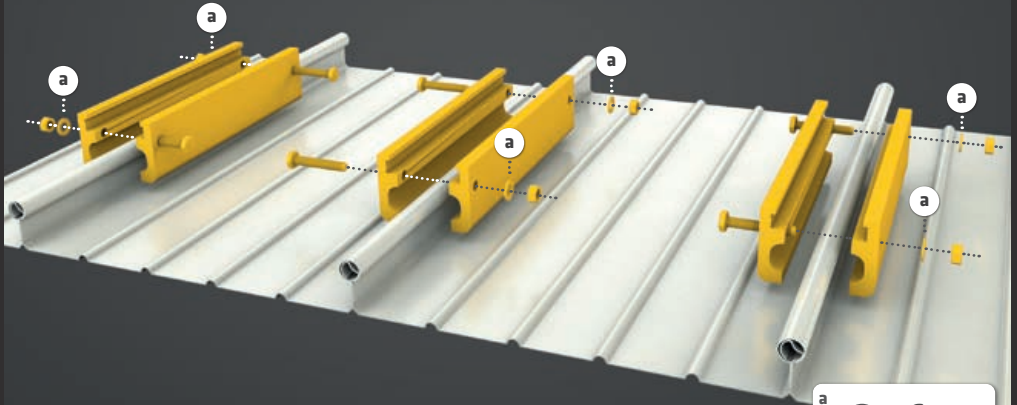
Documentation is compulsory!



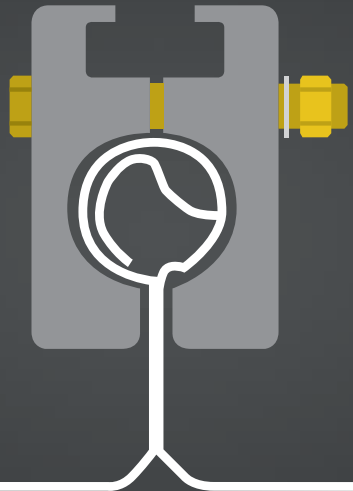
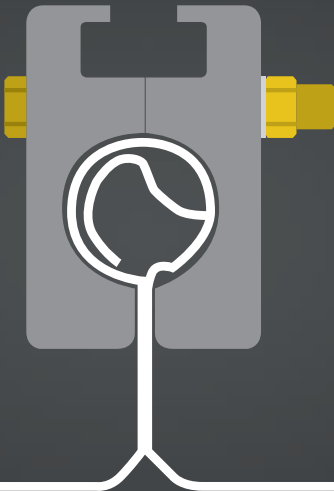


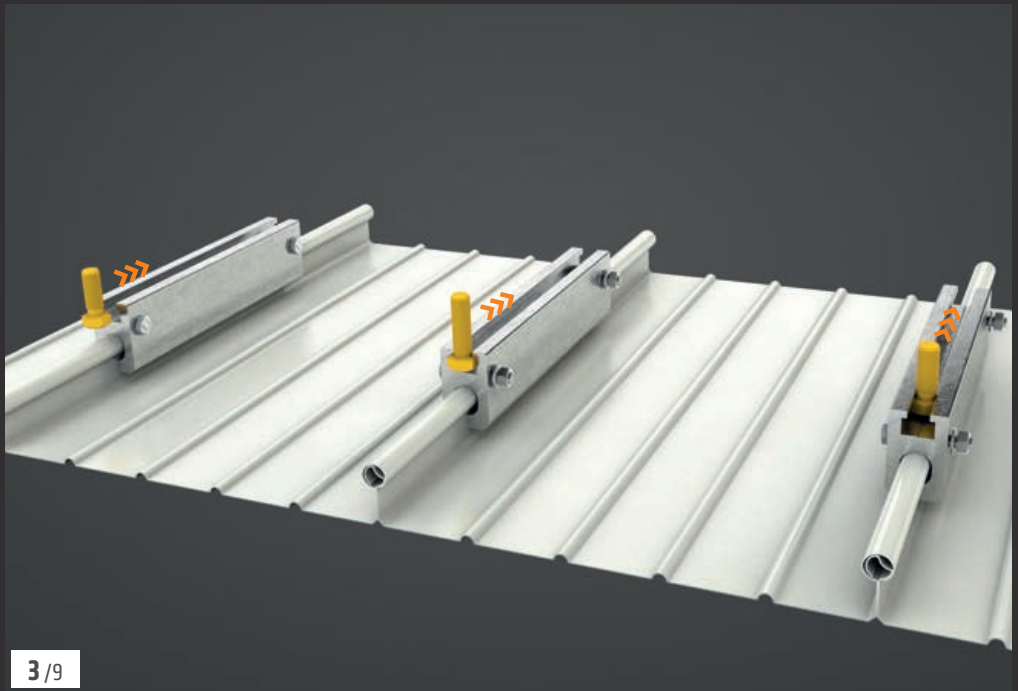
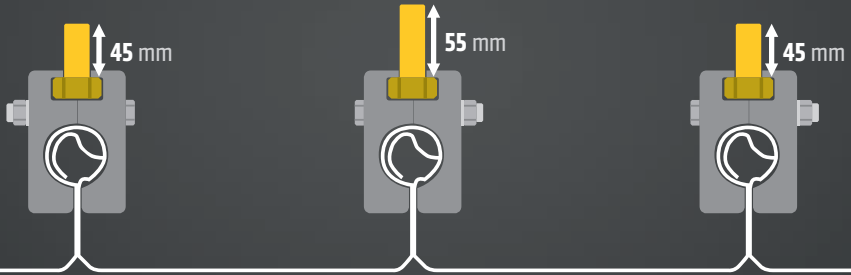
Montage nach abZ (in Deutschland zu beachten)
Installation according to abZ (Observe in Germany)

ABS-Lock® Falz VI | 5
PF-6-RB-500



2 / 9





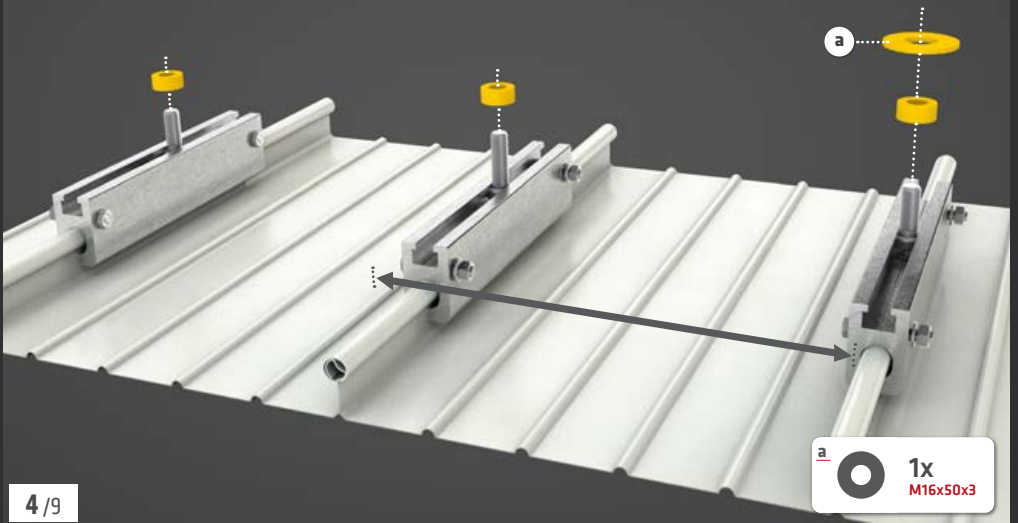


↔ 305
mm



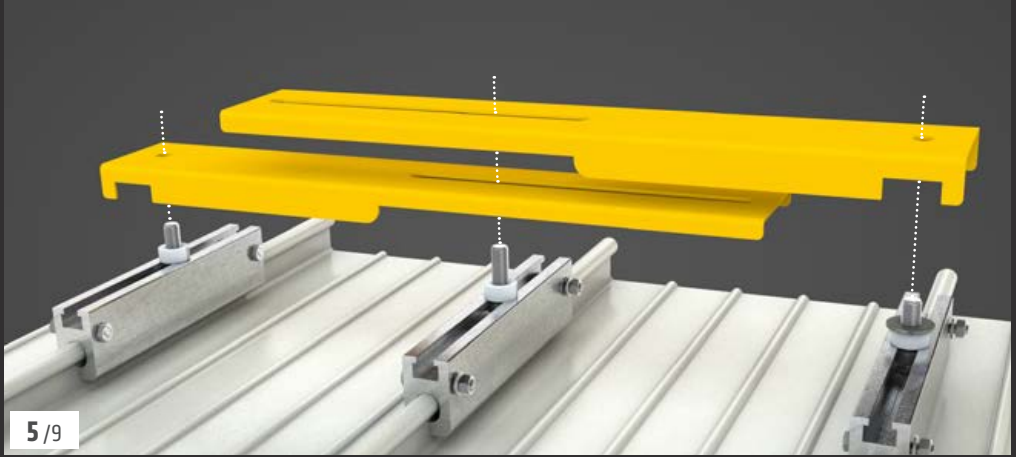
4 / 9

↔ > 305
mm



a
1x
M16x50x3

4 / 9



 17 | 40 Nm

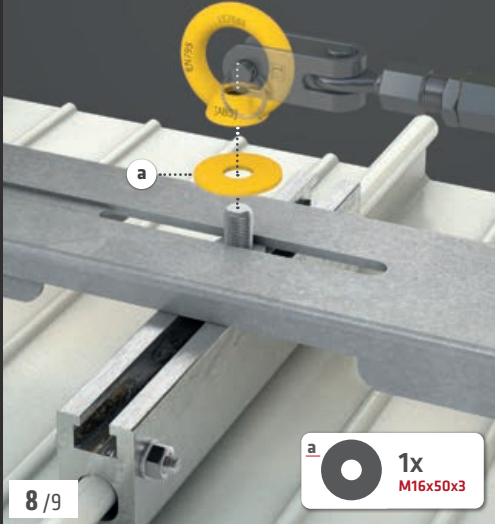


 24 | 40 Nm



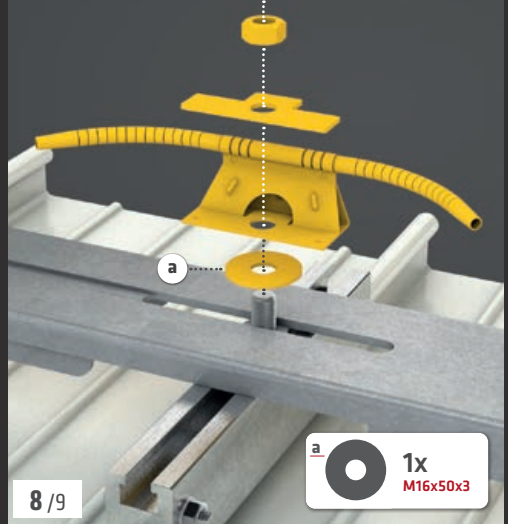


• Nm 24 | 70 Nm



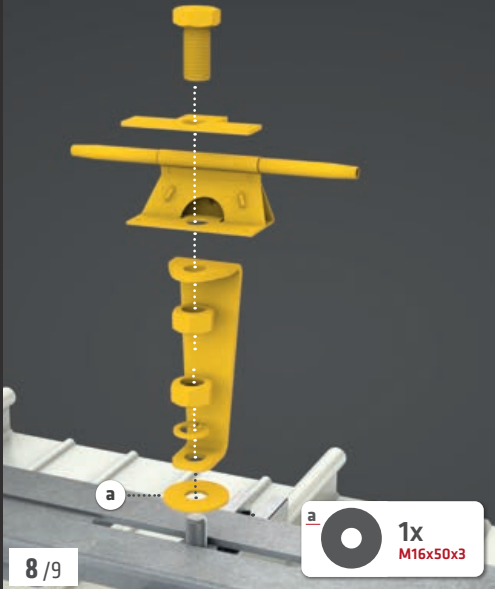
a 1x
M16x50x3

• Nm 24 | 70 Nm



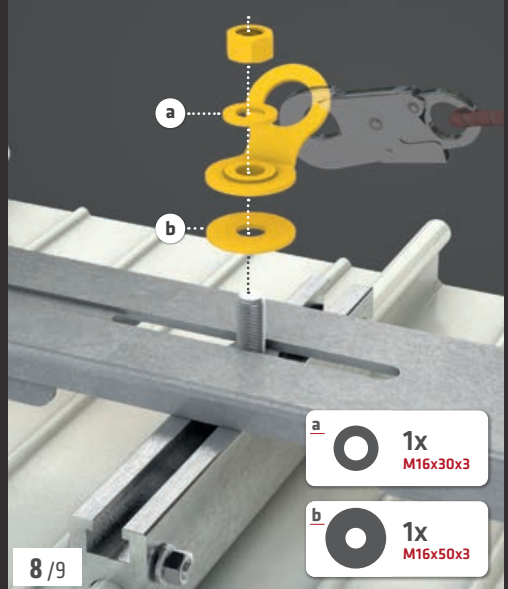
a 1x
M16x50x3

• Nm 24 | 70 Nm



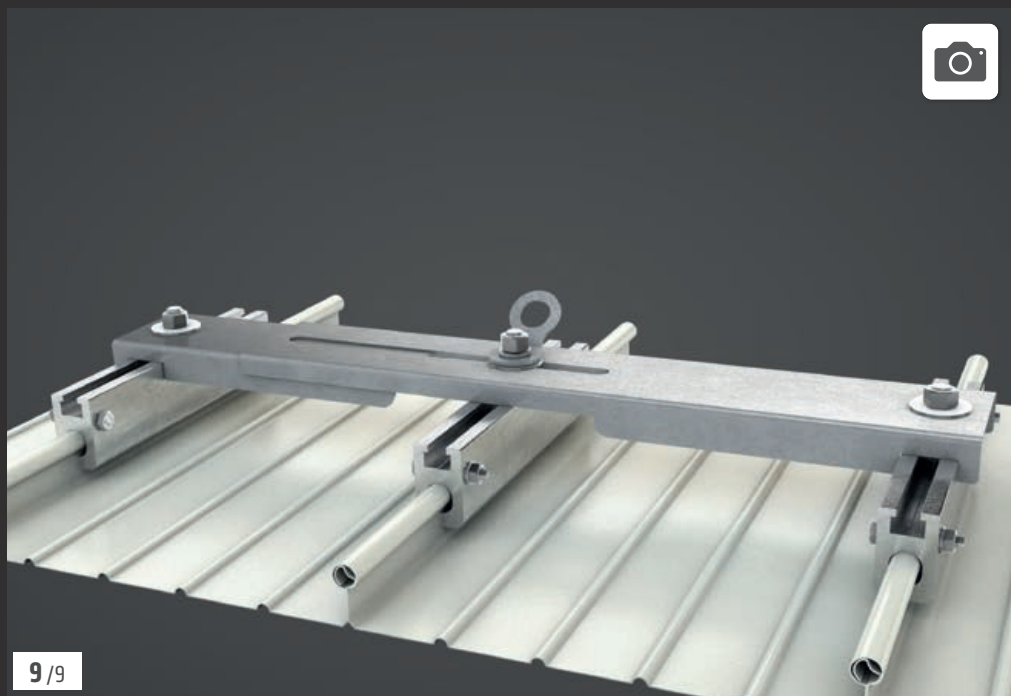
a 1x
M16x50x3

• Nm 24 | 70 Nm



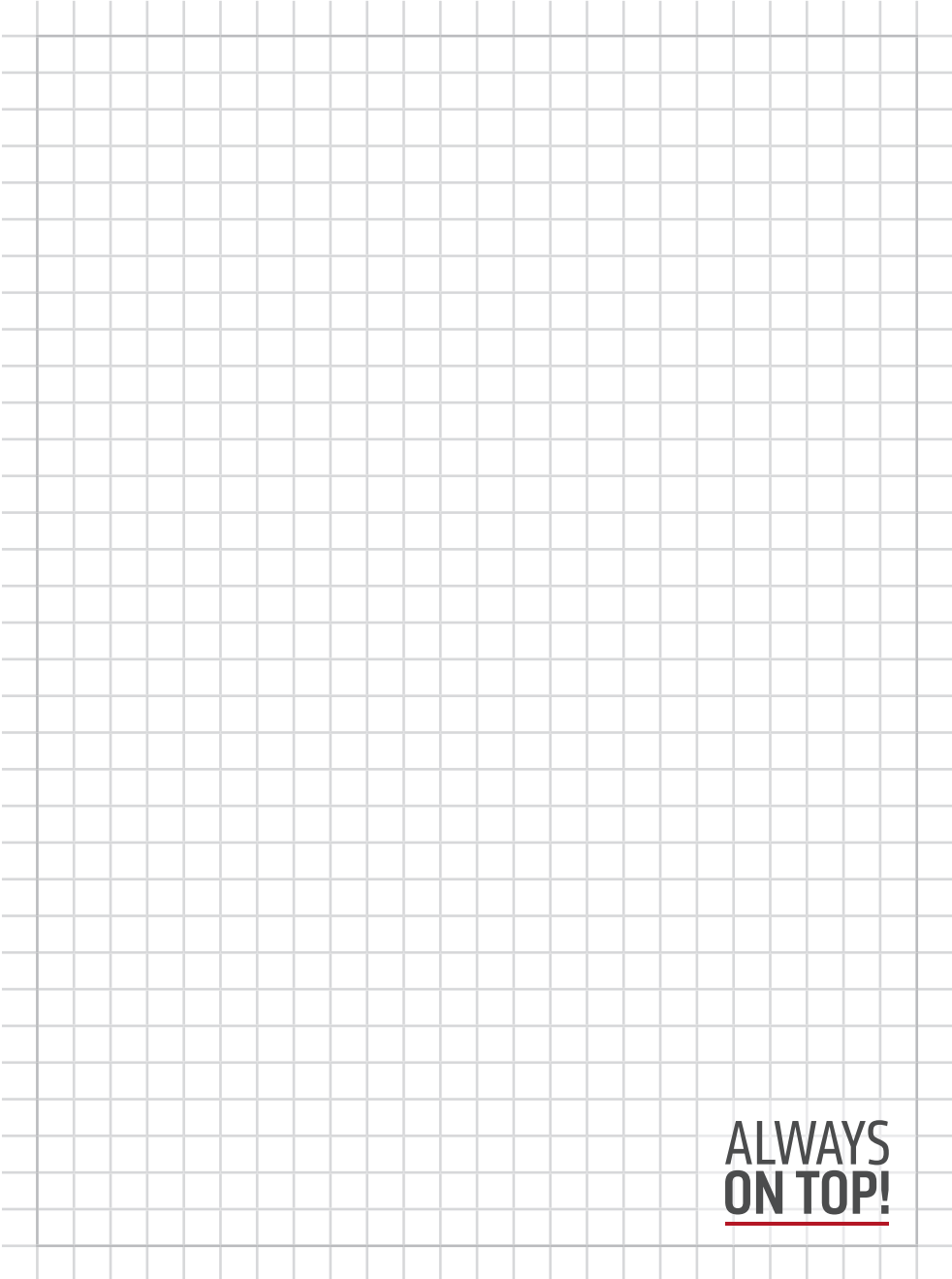
a 1x
M16x30x3

b 1x
M16x50x3



9 / 9





**ALWAYS
ON TOP!**


ALWAYS ON TOP!

ABS Safety GmbH

Gewerbering 3
D-47623 Kevelaer
Germany

Tel.: +49 28 32 972 81 - 0
Fax: +49 28 32 972 81 - 285

info@absturzschutz.de

 www.absturzschutz.de

 .de/en

 .de/fr

 .de/nl



[instagram.com/abssafety](https://www.instagram.com/abssafety)



[youtube.com/abssafetygmbh](https://www.youtube.com/abssafetygmbh)



[facebook.com/ABS.Safety](https://www.facebook.com/ABS.Safety)



[linkedin.com/company/abs-safety-gmbh](https://www.linkedin.com/company/abs-safety-gmbh)



[xing.com/pages/abssafetygmbh](https://www.xing.com/pages/abssafetygmbh)